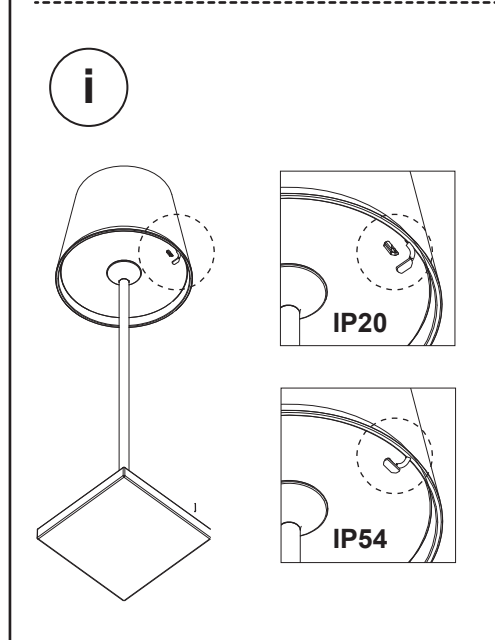
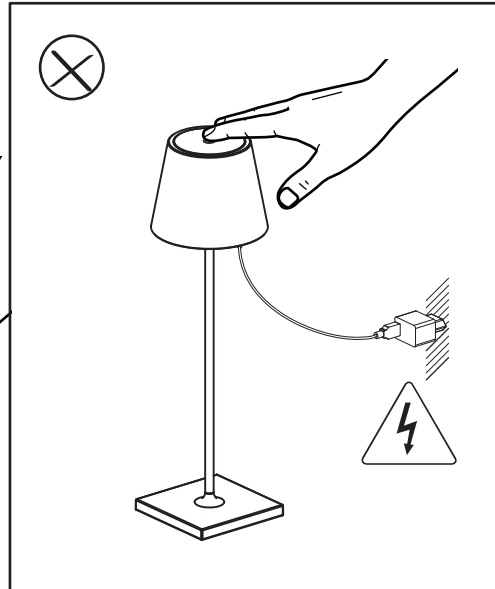
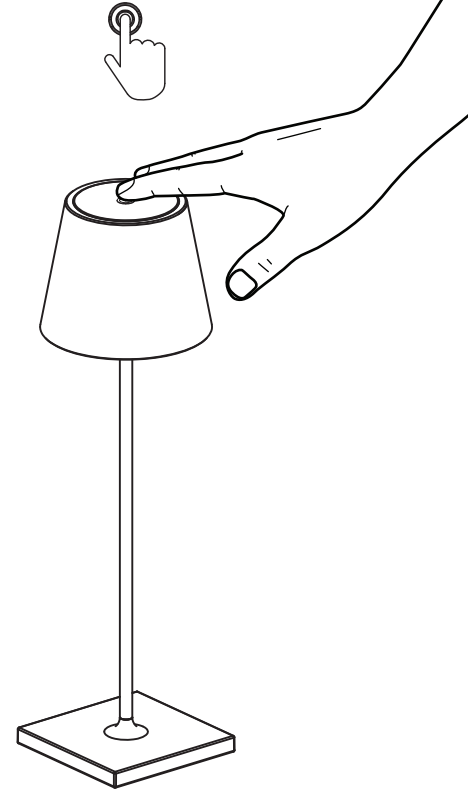


on / off  
Touch-switch



TECHNICAL FEATURES - CARACTERÍSTICAS TÉCNICAS

SMD LED Module 3000K, 2.2W, 3.7V, 4400mA 150LM INCL		USB 5Vdc 1A charger		Operating voltage DC 3. 7V	
Built-in Rechargeable Lithium Battery Non-replaceable		Charging Battery Red indicator Full Battery Green indicator		Battery Capacity 18650 / 2200mAH*2	
IP54		ON/OFF		Max 9hr	
micro usb line 1,2m - incl		AC/DC ADAPTER INCL CLASSII, 100V-240V~50Hz/60Hz OUTPUT 5V 1A			

