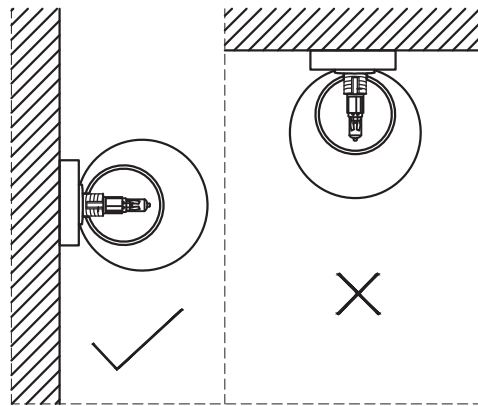


LIGHT SOURCE - FUENTE DE LUZ

1 x G9 MAX 6W LED NOT INCL

TECHNICAL FEATURES - CARACTERÍSTICAS TÉCNICAS

		DRIVER BUILT-IN	100V-240V~ 50Hz/60Hz	



i ZONES **0** SELV(12V max.) Minimum IP67. **1** Minimum IP65 **2** Minimum IP44

