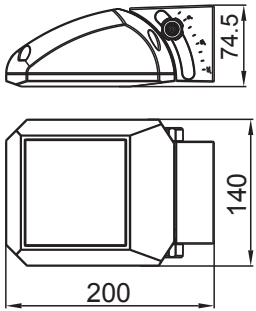




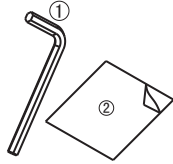
|            |                     |             |        |                     |  |             |   |
|------------|---------------------|-------------|--------|---------------------|--|-------------|---|
| Beam angle | Rated voltage       | Rated power | Weight | Wind area           |  | <b>IP65</b> | 48LED 17W 4000K 1463Lm (incl) driver (incl) |
| 100°       | 220-240V AC 50-60Hz | 17W         | 1KG    | 150 cm <sup>2</sup> |  |             |   |

Size - Cotas

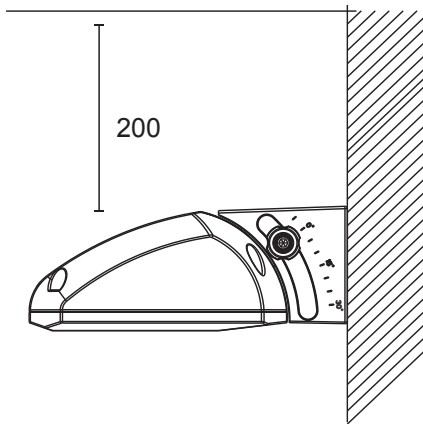
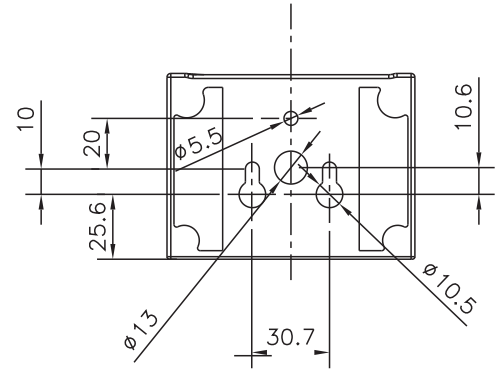


Accesories - Herramientas necesarias

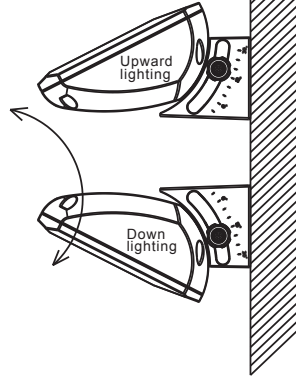
- ① H4 die nut
- ② IPC manual



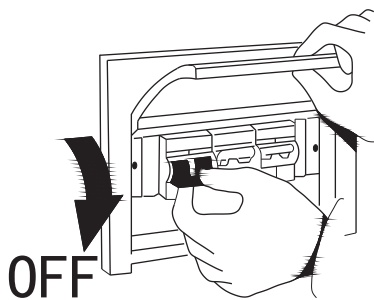
Mounting holes sizes - Agujeros de montaje



Adjustable angle -30°-50°



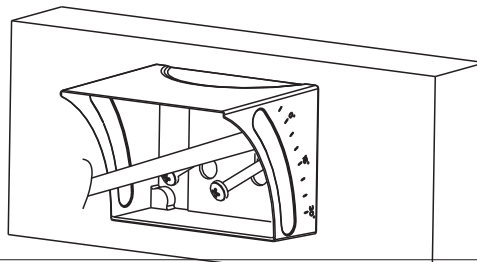
**1**



**2**



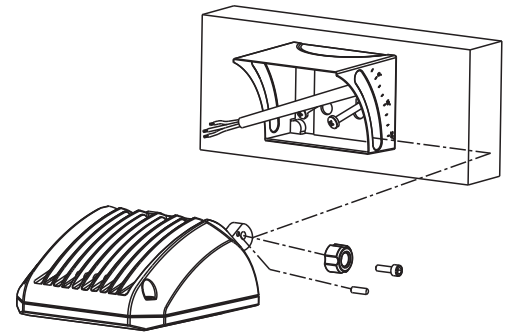
Pay attention on the waterproof when you connect the cables.  
Compruebe que el cableado está preparado para su uso en exterior.



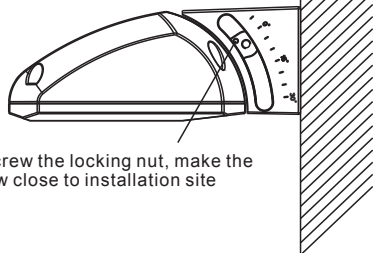
**3**



Note: tightening the screw in case of the lamp falling down.  
Si el proyector cae apriete los tornillos

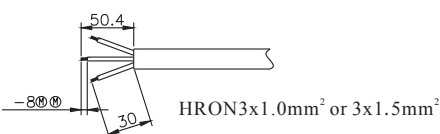


**4**

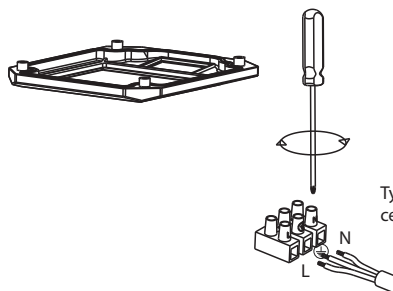
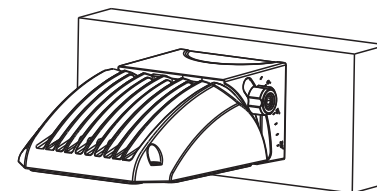


Unscrew the locking nut, make the screw close to installation site

D = 6.0 - 8.0mm



**5**



Type of connection A