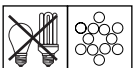


BOMBILLAS - BULBS

1 x GU10 LED 8W (NO INCL)



220-240V ~ 50/60Hz



ICONOS - ICONES

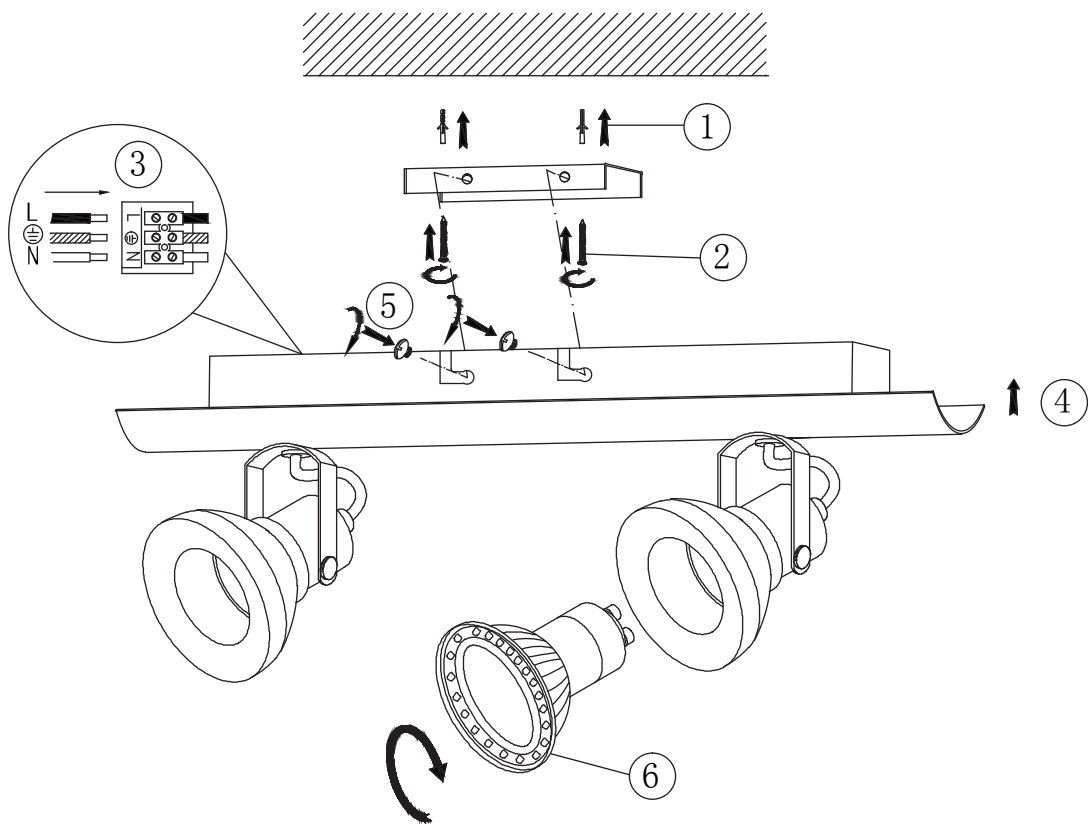
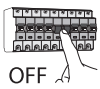
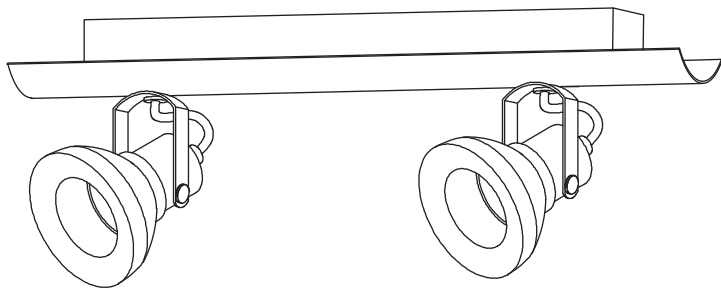
1	2	3
4	5 IP20	6
7	8	9



LOREFAR
c/Dinámica, 1
08755 Castellbisbal
Barcelona, Spain
faro@faro.es
www.faro.es

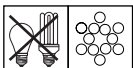
Tel. Comercial
902 165 166
Fax. Comercial
937 720 018

Tel. Export
+34 937 723 965
Fax. Export
+34 937 723 967



BOMBILLAS - BULBS

2 x GU10 LED 8W (NO INCL)



220-240V ~ 50/60Hz

ICONOS - ICONES

1	2	3
4	5 IP20	6
7	8	9

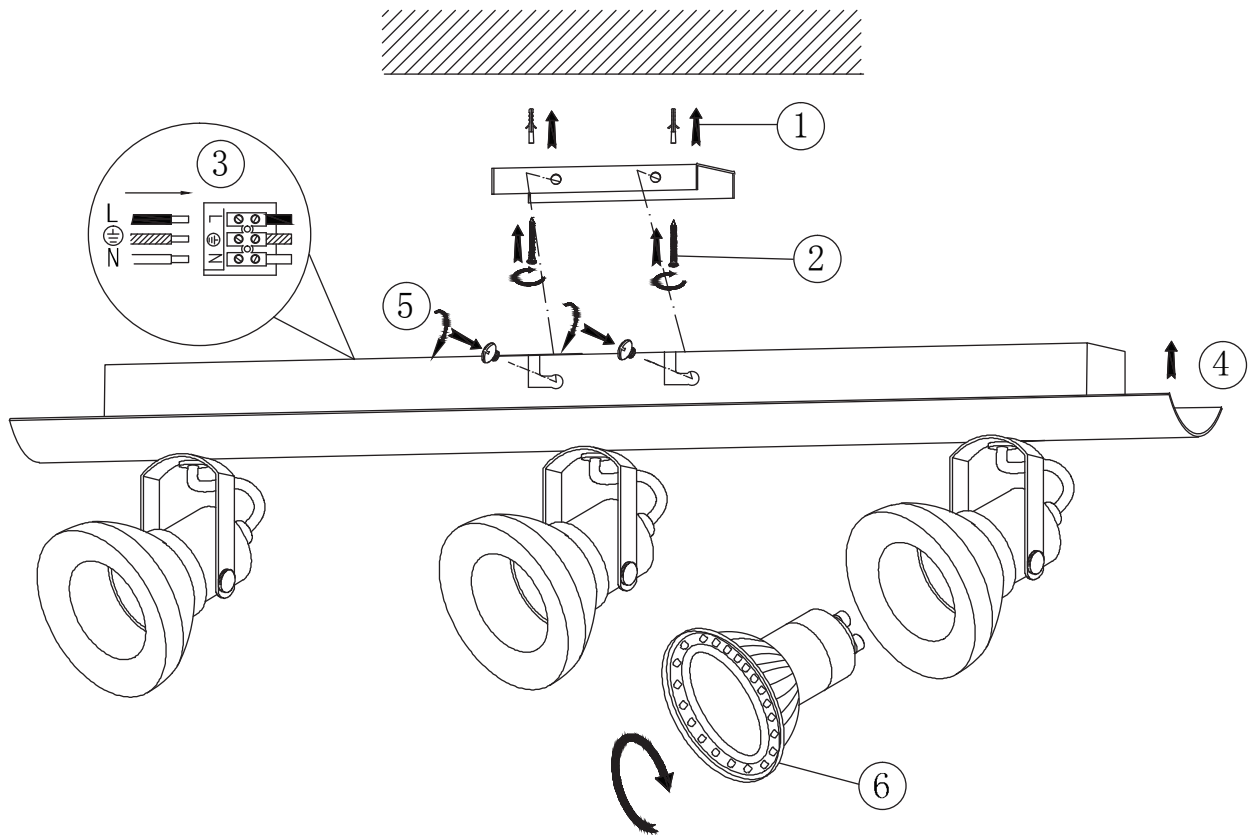
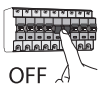
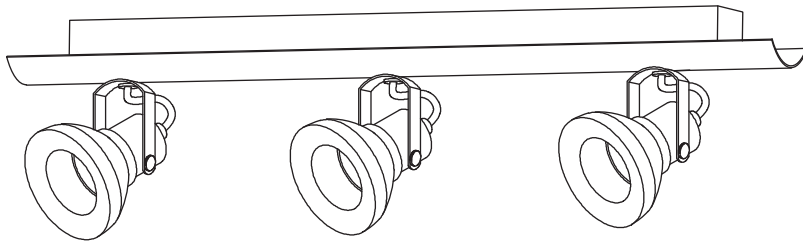


LOREFAR
c/Dinámica, 1
08755 Castellbisbal
Barcelona, Spain
faro@faro.es
www.faro.es

Tel. Comercial
902 165 166
Fax. Comercial
937 720 018

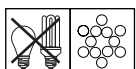
Tel. Export
+34 937 723 965
Fax. Export
+34 937 723 967





BOMBILLAS - BULBS

3 x GU10 LED 8W (NO INCL)



220-240V ~ 50/60Hz

ICONOS - ICONES

1	2	3
4	5	6
7	8	9



LOREFAR
c/Dinámica, 1
08755 Castellbisbal
Barcelona, Spain
faro@faro.es
www.faro.es

Tel. Comercial
902 165 166
Fax. Comercial
937 720 018

Tel. Export
+34 937 723 965
Fax. Export
+34 937 723 967

