

Installation Guide



WHERE ARE WE

Calle Dinámica N°1, Pol. Ind. Santa Rita
08755 Castellbisbal, Barcelona SPAIN



CALL US

Ph +34 918 315 425
Fax +34 937 720 018



DOWNLOAD



faro@lorefar.com
www.faro.es



FOLLOW US





Technical specifications

light kit	
material	Steel + PC
finished	Matt nickel

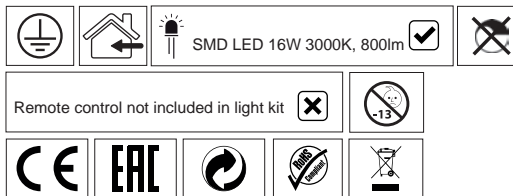
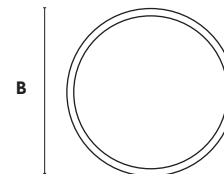
power	
V	220-240
Hz	50

Weight	
kg	0,28
lb	0,62

Light Kit for Nias

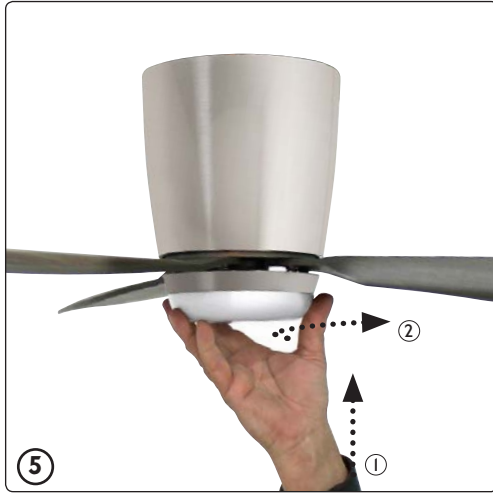
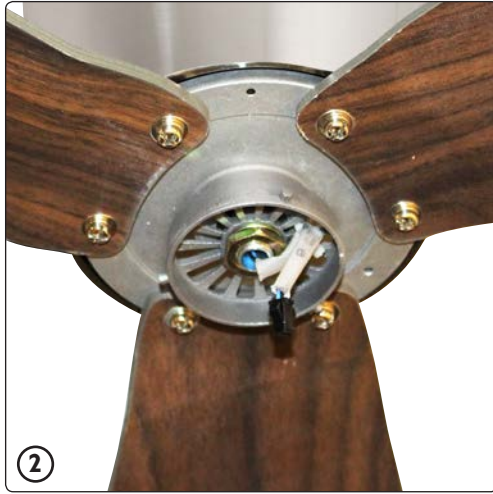
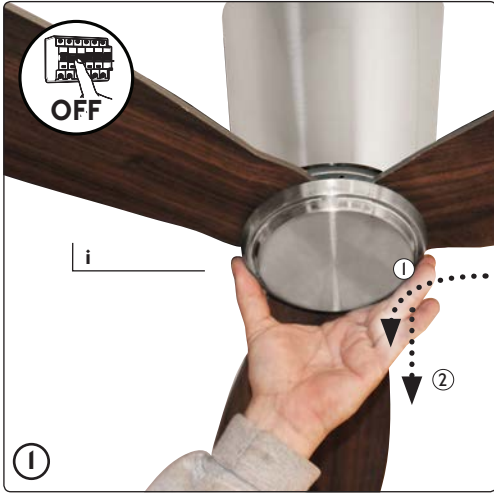
33472K

sizes mm/inch	
A	40 / 1,57"
B	Ø 130 / 5,12"



* Remote control with ceiling fan ref. 33472N

Installation



F A R O
B A R C E L O N A 